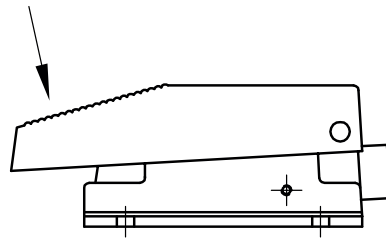


SF, SF-OD

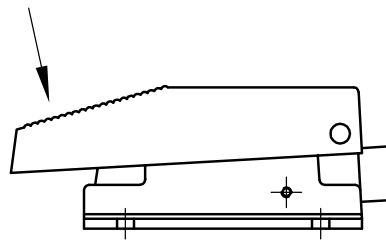
SF: IP 42 250 V~ 30 V= 5 A 2 A

SF-OD: IP 56 250 V~ 30 V= 5 A 2 A

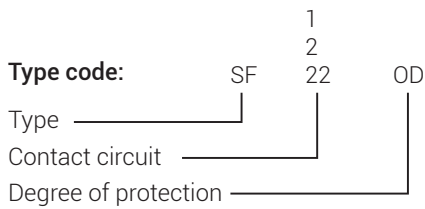
SF



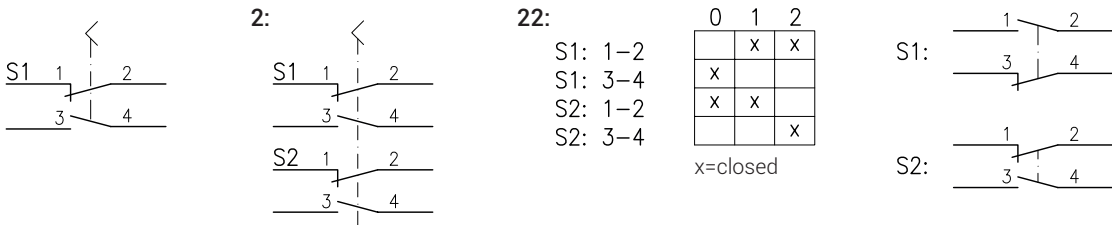
SF-OD



Type code



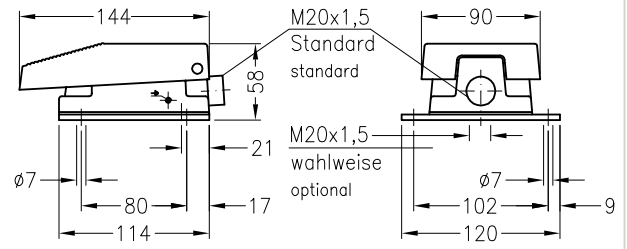
Contact circuit:



Fußtaster SF
foot pedal

SF_ Schutzart IP42
degree of protection IP42

SF_0d Schutzart IP56
degree of protection IP56

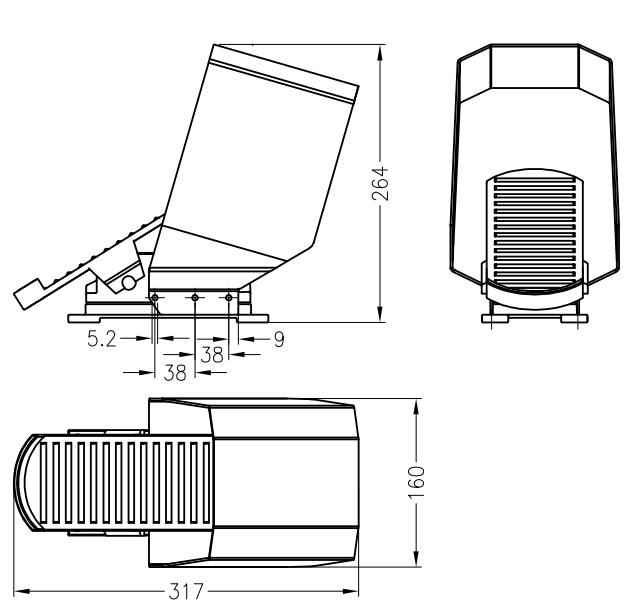
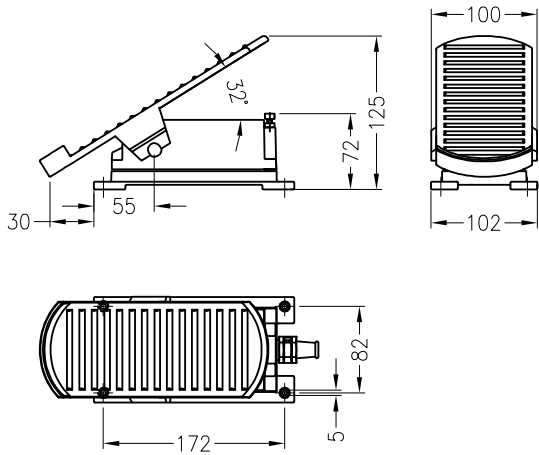


Fußtaster FST
foot pedal

Schutzart IP54
degree of protection IP54

Fußtaster FSTS
foot pedal

Schutzart IP54
degree of protection IP54



Fußtaster FPS/FPW
foot pedal

Schutzart IP42
degree of protection IP42

