

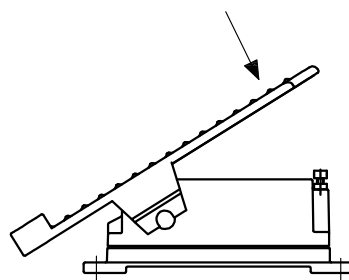


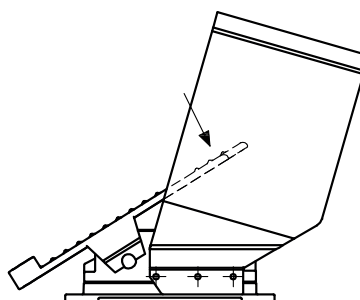
FST, FSTS

FST:	IP 54		$\frac{250\text{ V}\sim}{5\text{ A}}$	$\frac{30\text{ V}=\}{2\text{ A}}$
FSTS:	IP 54		$\frac{250\text{ V}\sim}{5\text{ A}}$	$\frac{30\text{ V}=\}{2\text{ A}}$

FST



FSTS

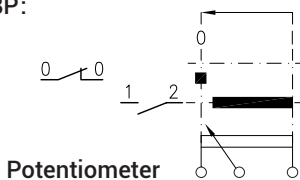


Type code

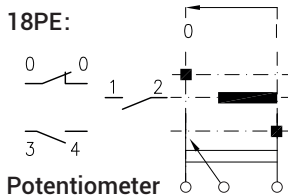
Type code:	FST	18P	R...
	FSTS	18PE	PW0045-...
Type	_____	_____	_____
Contact circuit	_____	_____	_____
Potentiometer	_____	_____	_____

Contact circuit

18P:



18PE:



Potentiometer:

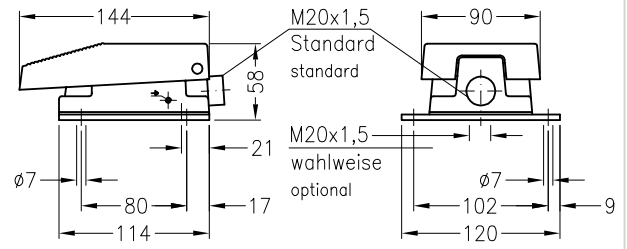
R...: cermet, 2 Watt, max. 24 V=
 PW0045...: wire wound, 1,5 Watt, max. 24 V=

Dimensions see page TI-F-1/2

Fußtaster SF
foot pedal

SF_ Schutzart IP42
degree of protection IP42

SF_0d Schutzart IP56
degree of protection IP56

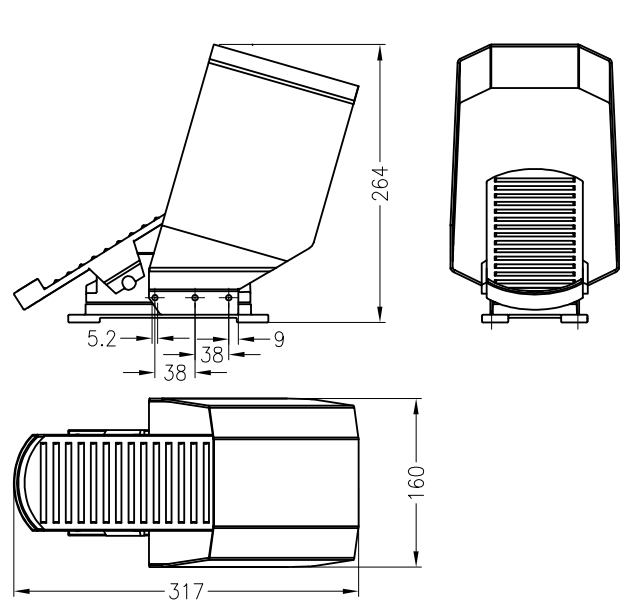
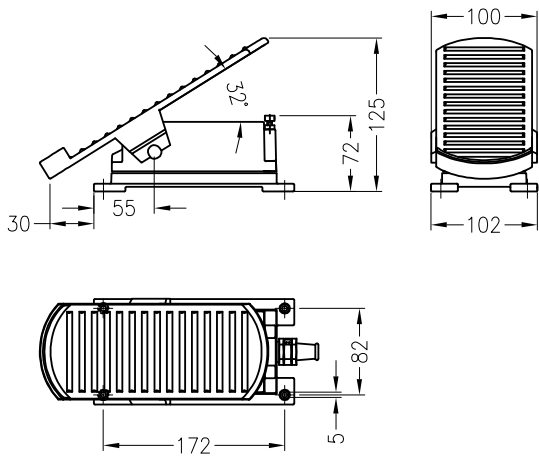


Fußtaster FST
foot pedal

Schutzart IP54
degree of protection IP54

Fußtaster FSTS
foot pedal

Schutzart IP54
degree of protection IP54



Fußtaster FPS/FPW
foot pedal

Schutzart IP42
degree of protection IP42

