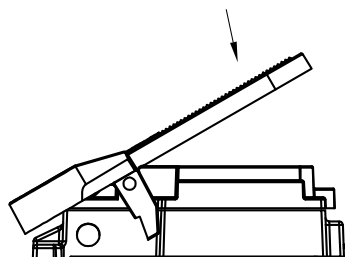


# FPS(S), FPW(S)

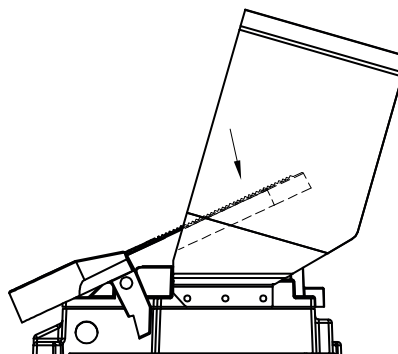
FPS, FPSS: IP 42  $\frac{250\text{ V}\sim}{16\text{ A}}$   $\frac{30\text{ V}=\}{1\text{ A}}$

FPW, FPWS: IP 42  $\frac{250\text{ V}\sim}{5\text{ A}}$   $\frac{30\text{ V}=\}{3\text{ A}}$

## FPS, FPSS



## FPW, FPWS



## Type code

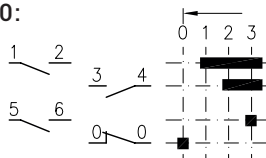
**Type code:** FPS  
FPSS F...  
Type \_\_\_\_\_  
Contact circuit \_\_\_\_\_

FPW A PW70d-...  
FPWS E  
Type \_\_\_\_\_ AE  
Contact circuit \_\_\_\_\_  
Potentiometer \_\_\_\_\_

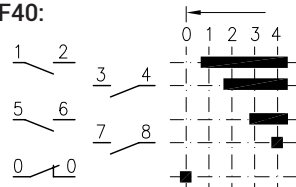
## Contact circuit

Dimensions see page TI-F-1/2

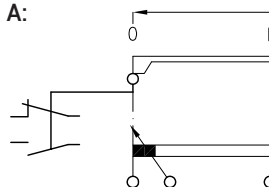
**F30:**



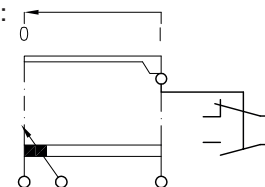
**F40:**



**A:**



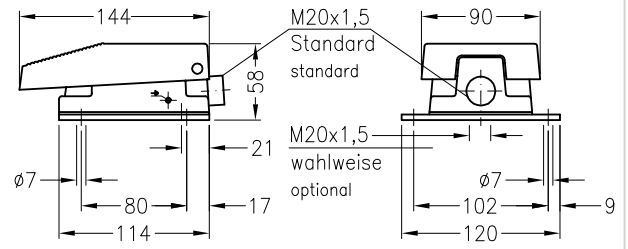
**E:**



Fußtaster SF  
foot pedal

SF\_ Schutzart IP42  
degree of protection IP42

SF\_0d Schutzart IP56  
degree of protection IP56

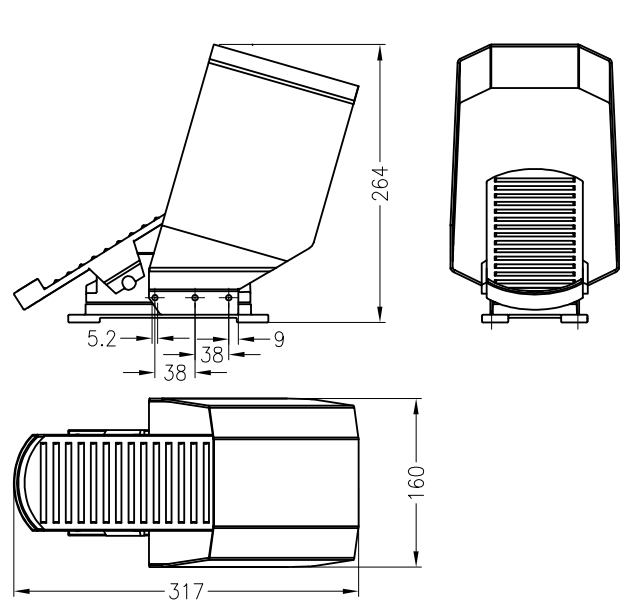
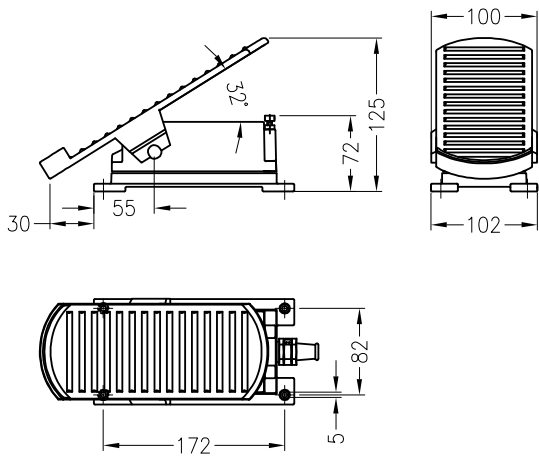


Fußtaster FST  
foot pedal

Schutzart IP54  
degree of protection IP54

Fußtaster FSTS  
foot pedal

Schutzart IP54  
degree of protection IP54



Fußtaster FPS/FPW  
foot pedal

Schutzart IP42  
degree of protection IP42

