



Q Series 2 way Radio Controller

The LCC Q200 is a single speed Radio controller designed for hoist applications

These are supplied as 24V systems but higher voltage models can be supplied. The Q200 is designed for industrial use and are extremely durable

PRODUCT DETAILS

1. Rugged transmitter button: The transmitter button can be pressed for 2 million times and is absolutely durable.

2. The receiver automatically searches for the transmitter channel function: automatic wireless pairing, replacing the transmitter without professional equipment pairing.

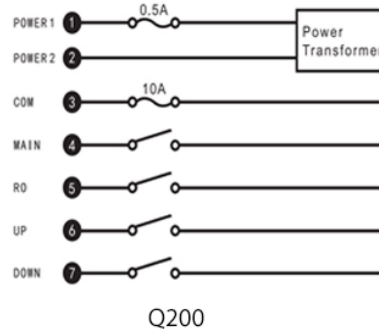
3. Use advanced processor with multi-bit Hamming code: fast, high security, high precision and 100% error-free coding and decoding.

4. Extraordinary communication design, synchronous codec data transmission, with software to eliminate interference, debugging, correction

5. Reinforced fiber plastic housing: Rugged attachment to the receiver housing to prevent damage from strong impact and frequent drops.

6. Super waterproof and oil proof grade: launch and receive external rafts fully comply with IP66/NEMA4 international specifications.

WIRING



Transmitter parameter:

Frequency	433/480(MHZ)
Weight	380g
Temperature range	-35°C~75°C
Average power consumption	8mA@DC3V(mA@DC)
Transmitter RF power	<10(mW)
Command response time	<100(ms)
Shell material	PA6(30%GF)
Control method	GFSK
Control distance	100m
Protection level	IP65
power supply	LR6(AA)1.5V*2DC3V(DC)
Frequency control	PLL
Stop command response time	<100(ms)

Receiver parameter:

Frequency	433/480(MHZ)
Weight	1700g
Shell material	PA6(30%GF)
Average power consumption	15mA@AC220V
Power supply(AC/DC)	Low pressure24-48V/110-460V
Operating temperature	-35°C~+70°C
Receiving sensitivity	-112(dBm)
Receiving capacity	5A@250W(A@AC)
Control distance	100m
Frequency control	PLL
Distribution method	GFSK
Reaction time	50-100(ms)
Protection level	IP65