

Electronic Crane Scale OCS JJE

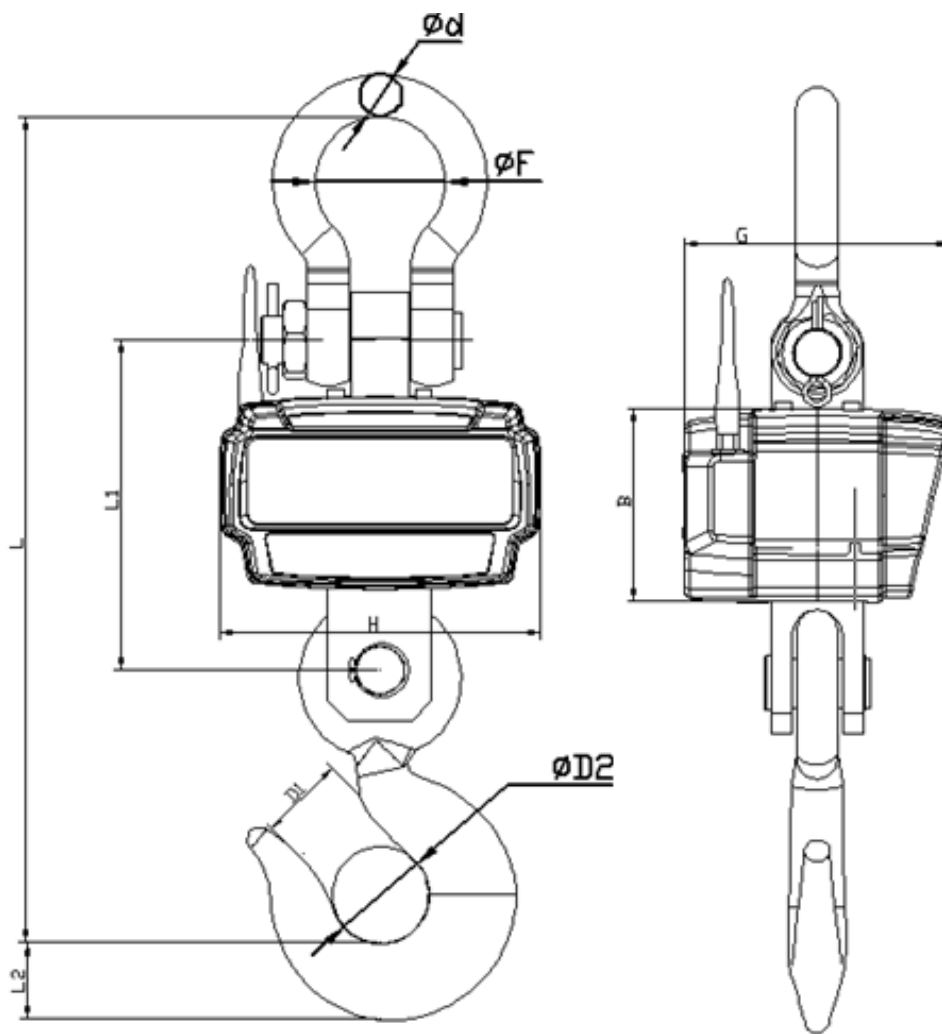


Overview

This series crane scale is a high-tech scale. The digital crane scale employs both the advanced hardware and sophisticated software. It uses AT-89 series single-chip micro-processor and high precision A/D converter. In addition, the crane scale is equipped with specially designed compensating circuitry for rocking loads. With its quick stabilization and strong interference-rejection, it can be widely used in weighing applications in commerce, industrial and mining industries, and warehousing wharf, etc.

Features & Specifications

Accuracy Class	III
Initial on Zero Range	Selectable 0%、5%、10%、20%、50%、100% F.S
Time to Stable Static Reading	≤10 seconds
Maximum Safe Load	150% F.S.
Display Screen	Super bright 1.2" 5-digit LED display
Operating Temperature	-10 °C ~ +40°C
Operating Humidity	≤85%RH
LOB Indicator	When the power is low, the indicator will be on
Auto-OFF	The scale will shut off automatically once the power is severely low.
Recharging Protective Circuitry	To prolong the performing life of the battery
Cast Aluminum Housing	Rust protection, antistatic & light weight



Model	B	G	H	L	L1	L2	D1	Φ2	Φd	ΦF
XZ-5 JJE	120	163	198	511	204	47	52	60	26	80
XZ-10 JJE	135	181	206	589	239	66	52	70	36	90

Max. Capacity (kg)	Mini. Weight(kg)	Measured Division
5000	40	2
10000	100	5

Infrared Controller

