





Wireless Digital Crane Scales

Model	Package	Model name	Model	Capacity	Accuracy
DL-W3 		+ 380 indicator	DL-W3-5	5ton	2kg
			DL-W3-10	10ton	5kg
			DL-W3-20	20ton	10kg
			DL-W3-30	30ton	10kg
			DL-W3-50	50ton	20kg
			DL-W3-100	100ton	50kg
			DL-W3-200	200ton	100kg

Model	Package	Model name	Model	Capacity	Accuracy
DL-W5 		+ 580 indicator	DL-W5-5	5ton	2kg
			DL-W5-10	10ton	5kg
			DL-W5-20	20ton	10kg
			DL-W5-30	30ton	10kg
			DL-W5-50	50ton	20kg
			DL-W5-100	100ton	50kg
			DL-W5-200	200ton	100kg

All the above dynamometers includes package
Other options: Wireless RED LED score board, PC com's



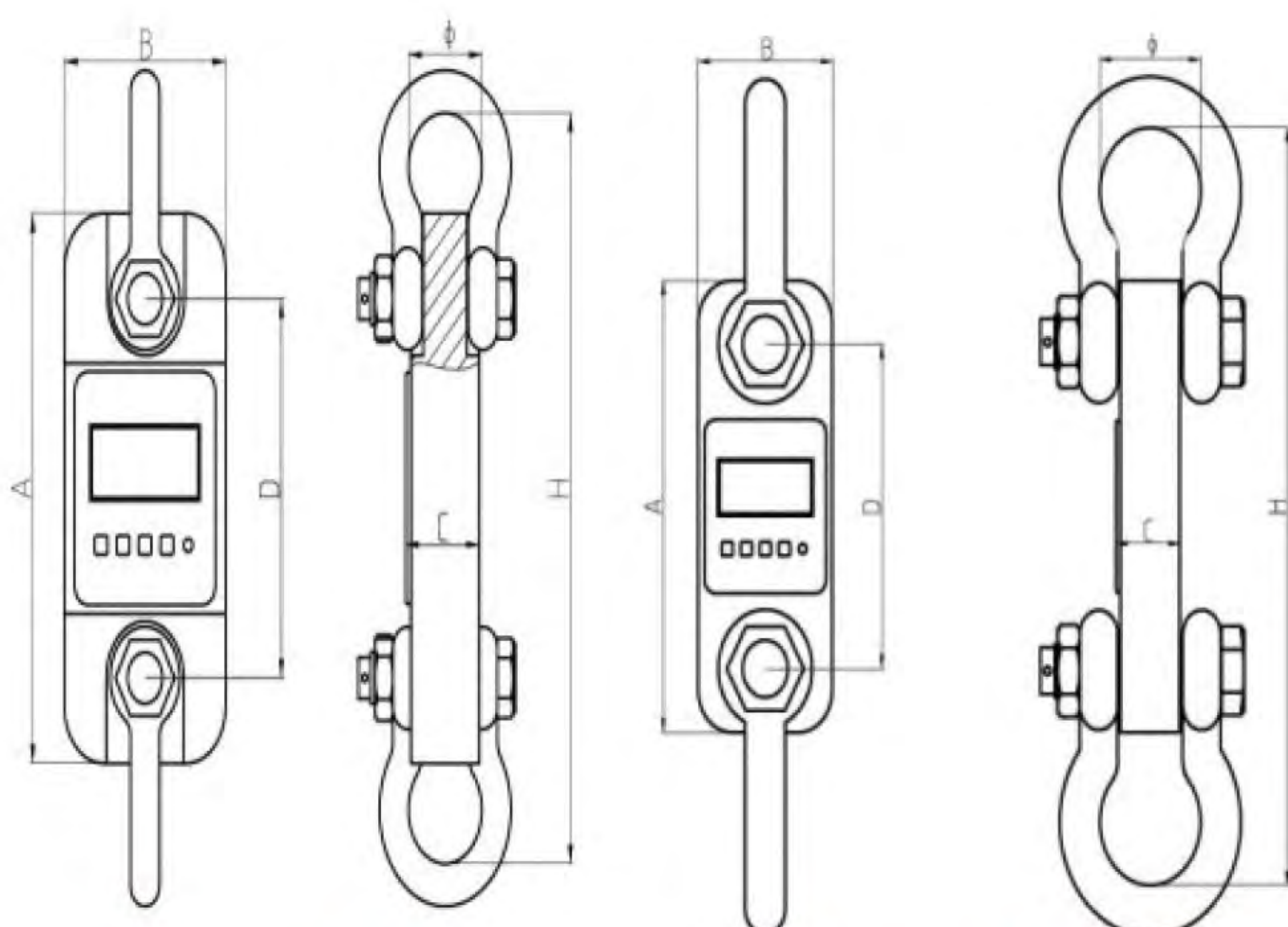
Dyna-link/Dynamometer

Full Specifications:

Display	25mm(1") 5digits LCD
Power on zero range	20% F.S.
Manual Zero Range	4% F.S.
Tare Range	20% F.S.
Stable Time	≤10 seconds
Over load Indication	100% F.S.+9e
Max.Safety Load	125% F.S.
Ultimate Load	400% F.S.
Battery Life	≥40 hours
Battery Type	"LR6(AA)" size alkaline batteries.1.5V x 3
Operating Temp.	-10°C ~+40°C
Operating Humidity	≤85% RH under 20°C
Wireless Distance	Min. 80m(default)[200m(optional)]
Wireless Frequency	2.4GHz(default),433MHz,860MHz(optional)

Features

- ◆ Rugged construction.
- ◆ Accuracy: 0.05% of capacity.
- ◆ All functions and units are clearly display on the LCD(with back-lighting).
- ◆ Digits are 1 inch high for easy distant viewing.
- ◆ Two user programmable Set-Point can be used for safety and warning applications or for limit weighing.
- ◆ Long battery life on 3 standard "LR6(AA)" size alkaline batteries.
- ◆ All commonly used internationally recognized units are available: kilograms(kg),short Tons(t) pounds(lb),Newton and kilonewton(kN).
- ◆ Infrared Remote control easier to calibration(with password) .
- ◆ Infrared Remote control with many functions : "ZERO", "TARE", "CLEAR", "PEAK", "ACCUMULATE", "HOLD", "Unit Change", "Voltage Check" and "Power OFF".
- ◆ 4 local mechanical keys : "ON/OFF", "ZERO", "PEAK" and "Unit Change".
- ◆ low battery warning .
- ◆ RF wireless palm indicator.



Cap: 1-5t

Cap: 10-200t

MODEL	Cap.(t)	A(mm)	B(mm)	C(mm)	D(mm)	θ(mm)	H(mm)	Material
DL-W-01	1	245	112	37	190	43	335	Aluminium
DL-W-02	2	245	116	37	190	43	335	Aluminium
DL-W-03	3	260	123	37	195	51	365	Aluminium
DL-W-05	5	285	123	57	210	58	405	Aluminium
DL-W-10	10	320	125	57	230	92	535	Steel
DL-W-20	20	375	128	74	260	127	660	Steel
DL-W-30	30	420	138	82	280	146	740	Steel
DL-W-50	50	465	150	104	305	184	930	Steel
DL-W-100	100	570	190	132	360	229	1230	Steel
DL-W-200	200	725	265	183	440	280	1380	Steel